

Bourdon Tube Pressure Gauge Type 111.11PM Panel Mount Gauge Standard Series

WIKA Datasheet 111.11PM

Applications

- Compressed gas regulation
- HVAC and recovery systems
- Suitable for all media that will not obstruct the pressure system or attack copper alloy parts

Product features

- Durable black ABS case
- Twist-lock window
- Reliable and economical
- Fits 2½" (68 mm) US panel cutouts

Specifications

Design

ASME B40.100

Sizes

2½" (68 mm)

Accuracy class

± 3/2/3% of span (ASME B40.100 Grade B)

Ranges

Vacuum / Compound to 200 psi (16 bar)
Pressure from 15 psi (1 bar) to 6,000 psi (400 bar)
or other equivalent units of pressure or vacuum

Working pressure

Steady: 3/4 of full scale value
Fluctuating: 2/3 of full scale value
Short time: full scale value

Operating temperature

Ambient: -40°F to 140°F (-40°C to 60°C)
Media: 140°F (+60°C) maximum

Temperature error

Additional error when temperature changes from reference temperature of 68°F (20°C) ±0.4% of span for every 18°F (10°K) rising or falling.



Bourdon Tube Pressure Gauge Type 111.11PM

Pressure connection

Material: copper-alloy
1/8" or 1/4" NPT center back mount (CBM)

Bourdon tube

Material: copper alloy
≤ 870 psi (60 bar): C-shape
> 870 psi (60 bar): Helical

Movement

Copper alloy

Dial

White aluminum with stop pin and black lettering.
Zero-adjustment screw on dial

Pointer

Black aluminum

Case

Black ABS

Window

Twist-lock clear polycarbonate

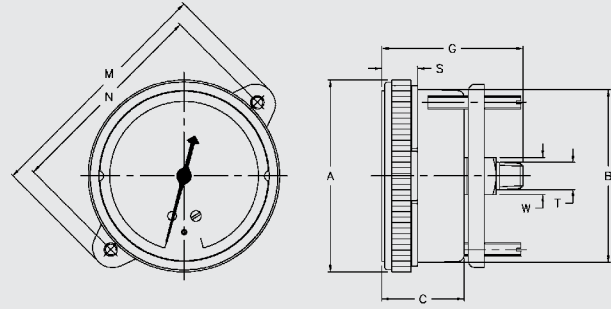
U-clamp bracket

Zinc-plated steel with two threaded screws

Optional Extras

- Brass restrictor
- Custom dial layout
- Special threaded connection
- Other pressure scales available:
bar, kPa, MPa, kg/cm² and dual scales

Dimensions



Size		A	B	C	G	M	N	S	T	W	Weight
2.5"	mm	72.4	65	31	56	91	78	13.5		14	
	in	2.85	2.56	1.22	2.20	3.58	3.07	0.53	1/4"	0.55	0.30 lb

Recommended panel cutout is dimension D + 1 mm

Ordering information

Pressure gauge model / Nominal size / Scale range / Size of connection / Optional extras required
 Specifications and dimensions given in this leaflet represent the state of engineering at the time of printing.
 Modifications may take place and materials specified may be replaced by others without prior notice.



WIKA Instrument Corporation

1000 Wiegand Boulevard
 Lawrenceville, GA 30045
 Tel (770) 513-8200 Toll-free 1-888-WIKA-USA
 Fax (770) 338-5118
 E-Mail info@wika.com
 www.wika.com